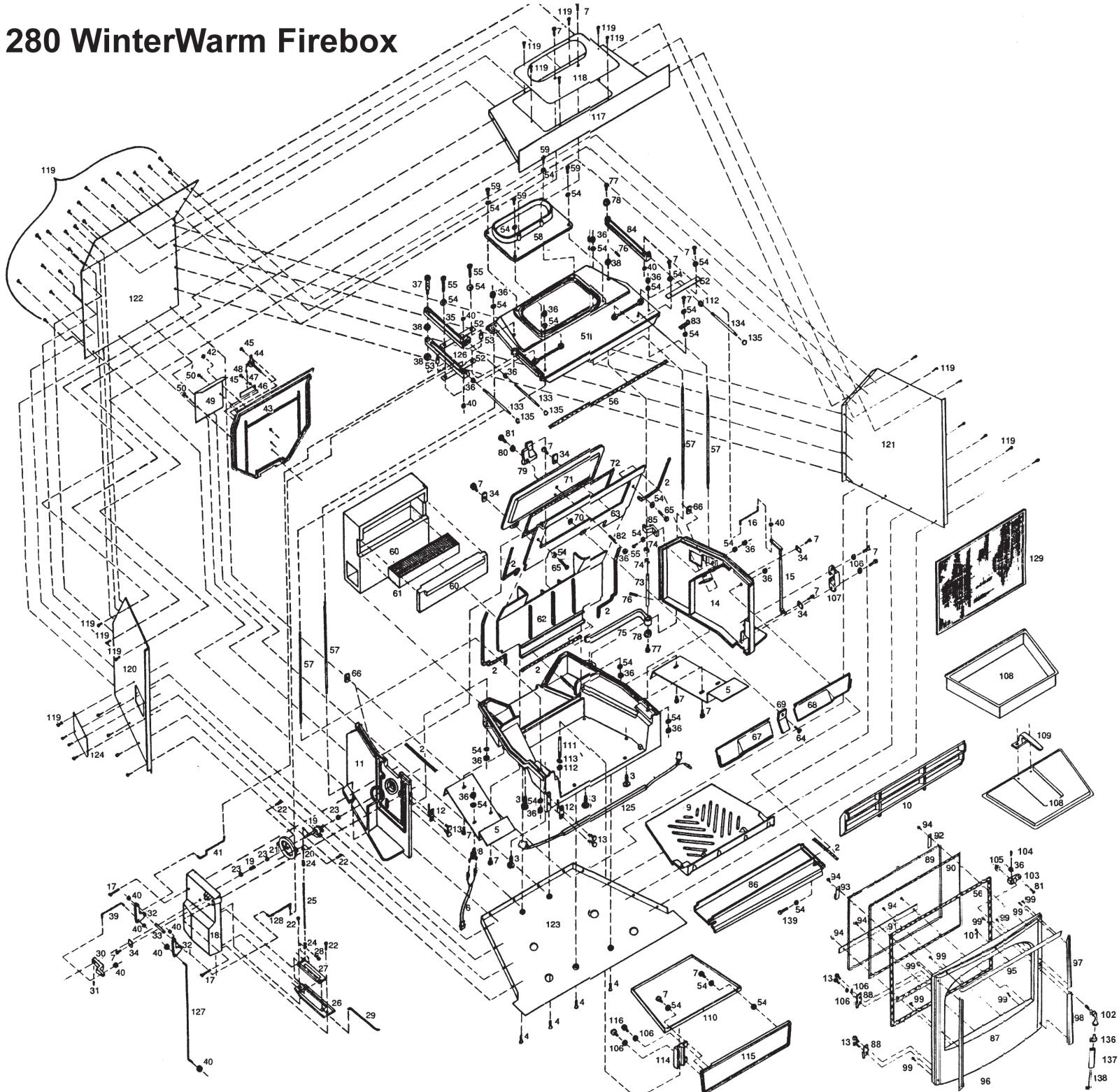


1280 WinterWarm Firebox



WINTERWARM LARGE

MODEL# 1280 WINTERWARM FIREBOX

FEATURES: *MANUFACTURED FROM 11/88 to 1/91, ON/OFF FANS CONTROLLED
BY A SNAPSTAT, FANS WERE LOCATED INSIDE THE SURROUND*

** denotes dead product*

DIAGRAM #	ITEM #	PART DESCRIPTION
1	130-1250*	Bottom Only
2	120-3588	5/16 Fiberglass Medium Density (sold by the foot)
3	120-1742	3/8-16 x 2" Hex Head Leveller Bolt
4	120-0865	1/4 -20 x 5/8" Phillips Flat Head Screw
5	160-4105*	Fan Heat Shield
6	500-2579*	Snapstat Wire Assembly
7	120-1338	1/4 -20 x 1/2" Hex Head Cap Screw
8	160-4231*	Snapstat
9	130-1256	Ash Grate
10	130-1275	Bar Grate
11	130-1280	Left Side Firebox
12	160-4281	Half Hinge, Body (With Pin)
	30001897	Set of Body and Door Half Hinges
13	120-1347	1/4 -20 x 1/2" x Hex Head Leveller Bolt
14	130-1264	Right Side Firebox
15	130-1299	Damper Door Interlock
16	160-1568	Interlock Door/Damper Wire
17	120-0830	1/4 -20 x 1 3/4" Phillips Flat Head Screw Black
	500-0343	Primary Air Box Assembly (Includes Item #'s 7, 8, and 18 through 34)
18	130-1281	Primary Air Box
19	500-5470	Thermostat Assembly
	120-1846	Friction Spring
20	120-1985	Jump Ring
21	130-1269	Thermostat Disc
22	120-0896	1/4 -20 x 5/8" Phillips Round Head Screw
23	120-2471	Washer, Flat 1/4 #304 SS .294 ID x .63 OD x .047 Thick
24	120-1972	Ball Chain Fitting
25	120-1960	#6 Nickel Ball Chain, 21 Balls, Attach Chain @ 19 Balls (Sold by the Foot)
26	130-1268	Thermostat Valve
27	130-1265	Thermostat Flap
28	120-3027	7/16 x 5/8" Cotter Pin
29	160-4503	Thermostat Flap Wire
30	130-1258	Thermostat Actuator
31	120-0417	1/4 -20 x 1/4" Socket Set Screw
32	130-1263	Bell Crank
33	160-0524	Crank Pin
34	160-1488	Damper Tab
35	130-1284	Thermostat Control Arm
36	120-3210	1/4-20 Plain Hex Nut
37	120-1319	3/8 -16 Threaded Shoulder Bolt, 1/2 x 1 1/4" Body
38	120-2491	Washer, Flat 1/2 SAE

39	160-4501	Lower Thermostat Wire Link
40	120-3275	#8-32 Hex Top Lock Nut
41	160-4502	Upper Thermostat Wire Link
42	120-1899	5/16" Hole Plug
43	130-1251	Firebox Back
44	160-1489	Secondary Thermostat
45	120-0980	10-24 x 1/4" Phillips Pan Head Screw
46	160-1490	Secondary Air Flap
47	120-1986	Shim Ring, 18 Ga Nickel
48	160-1486	Secondary Air Link
49	160-4505	Secondary Air Coverplate
50	120-0993	1/4 -20 x 3/8" Phillips Pan Head Screw
51	130-1253	Firebox Top
52	160-4338	Control Shim
53	120-1781	Control Spacer
54	120-2474	Washer, Standard Flat 1/4 - Z .313 OD x .742 OD x .06 Thick
55	120-1326	1/4 -20 x 1" Hex Head Cap Screw
56	120-3564	Gasket, 1/2" Low Density Black (Sold by the Foot)
57	500-7499	Tie Rod Set (Includes 4 of 160-1640 Tie Rods & 4 of 120-3210 Plain Hex Nuts)
	120-3213	1/4 -20 Top Lock Hex Nut
58	130-1276	Flue Collar
59	120-1374	1/4 -20 x 3/4" Hex Head Cap Screw
60	160-2510	Refractory Assembly (Includes PN 160-2511 Access Panel)
61	30001152	Catalyst (Old PN 160-2505 in a carton)
62	130-1252	Lower Fireback
63	130-1260	Upper Fireback
	500-0044	Upper Fireback & Damper Assembly (Includes Item #'s ,7, 34, 36, 63, 65, 69 to 72, 79 to 82)
64	120-1376	1/4 -20 x 1" Hex Head Cap Screw - Black
65	120-1386	1/4 -20 x 1 1/2" Hex Head Cap Screw
66	120-3105	1/4 -20 Nut Plate
67	130-1296	Left Throat
68	130-1297	Right Throat
69	130-1298	Throat Clamp
70	120-3329	1/4 -20 Square Nut
71	130-1259	Damper
72	120-3589	Gasket, 3/8" Low Density 6ND (Sold by the Foot)
73	160-4522	Damper Control Rod Threaded (use with 2-120-3290)
74	120-2492	Washer, Thick Flat .52 ID x .875 OD x .085 Thick
75	130-1282	Damper Swing Arm
76	120-1839	3/16 x 1" Stainless Steel Damper Rod Pin
77	120-1340	Screw no longer used - Sub 120-3290 Bolt
78	120-2488	Washer, Flat 3/8 - Z .442 ID x 1 OD x .074 Thick
79	130-1270	Damper Swing Arm Retainer
80	120-2475	Washer, Narrow Flat 1/4 .275ID x .5 OD x .063 Thick
81	120-0461	1/4 -20 x 3/4" Socket Head Cap Screw
82	120-0446	1/4 -20 x 1 1/4" Socket Set Screw
83	160-4507	Damper Actuator Link Stop
84	130-1283	Damper Actuator Link
85	130-1271	Damper Rod Retainer
86	130-1274	Door Air Manifold
87	130-1257	Door

	500-6079	Door Assembly (Includes Item #'s 13, 56, 87 to 92, 94 to 99, 101, 102, 103, 105)
88	160-4280	Half Hinge, Door (No Pin)
89	500-2617	Glass Cassette (Approximately 22" x 13")
90	120-3556	Gasket, $\frac{3}{16}$ " Fiberglass 4ND Black
91	160-1403	Glass Retainer, Lower
92 & 93	160-1409	Glass Retainer, Upper (2 required)
94	120-0985	10-24 x $\frac{3}{8}$ " Phillips Pan Head Screw
95	140-2504	Brass Trim, Top
96	140-2505	Brass Trim, Left
97	140-2507	Brass Trim, Upper Right
98	140-2508	Brass Trim, Lower Right
99	120-2041	8-32 x 1/2" Phillips Flat Head Screw
101	120-2045	8-32 x 1 1/4" Phillips Flat Head Screw (Upper Brass Trim- Center Screw)
102	500-4273	Handle Stub Assembly with Shaft, Gold
103	500-4025	Pawl Assembly
104	120-0415	$\frac{1}{4}$ " -20 X $\frac{3}{16}$ " Socket Set Screw
105	120-3290	$\frac{3}{8}$ " -16 Top Lock Hex Jam Nut
106	120-2473	$\frac{1}{4}$ " Flat Washer
107	130-1273	Striker Plate
108	500-5746	Ash Pan Assembly (Includes Item # 109)
	160-1025	Ash Pan Only
109	160-1027	Ash Pan Cover Only
110	160-1039	Ash Pan Bracket
111	160-0523	Ash Pan Swing Pin, 3/8" OD
112	120-3157	$\frac{3}{8}$ " -16 Hex Jam Nut
113	120-2560	Washer, Narrow Flat 3/8
114	130-1272	Ash Pan Door Clamp
115	130-1277	Decorative Ash Door
116	120-1372	$\frac{1}{4}$ " -20 x $\frac{5}{8}$ " Hex Head Cap Screw
117	140-2447*	Sustitute 140-2445 Top & 140-2450 Sides & Back
118	140-3363	Shroud Flue Connector Plate
119	120-2058	#10 x 1/2 Phillips Pan Head Sheet Metal Screw - Black
120	140-2450	Shroud Sides and Back Assembly has
121		replaced the old separate left side, right
122		side and rear shroud components.
123	140-2448	Shroud Bottom
124	140-2453	Outside Air Cover
125	500-2578	Wireway Assembly
126	130-3225	Rheostat Control Arm
127	160-4511	Lower Rheostat Wire Link
128	160-4512	Upper Rheostat wire Link
129	120-6343	Spark Screen (Inserted In Door After Removing Glass Cassette)
133	160-4504	Wire Handle $\frac{1}{4}$ " Diameter (Fans & Thermostat)
134	160-4514	Wire Handle $\frac{3}{8}$ " Diameter (Damper)
135	140-2470	Brass Ball For Wire Handles
136	140-2484	Brass Insert Nub Only In Handle
137	160-0682	Wood Handle Only
138	160-0694	Wireform Handle Part Only (Hook on one end and thread on other)
	000-4349	Fallaway Wireform Handle Assembly (Items 136,137 & 138)
139	120-1376	$\frac{1}{4}$ " -20 x 1" Hex Head Cap Screw

ITEMS NOT SHOWN PACKED INSIDE THE STOVE

120-4816 Power Cord (Packed with Surround)
 200-0941 Manual
 120-5116 1/8 Allen Wrench Short Arm
 120-5147 5/32 Allen Wrench Short Arm
 000-5816 Finish Bag
 200-0140 Template for Planning

GASKETS LARGE WINTERWARM

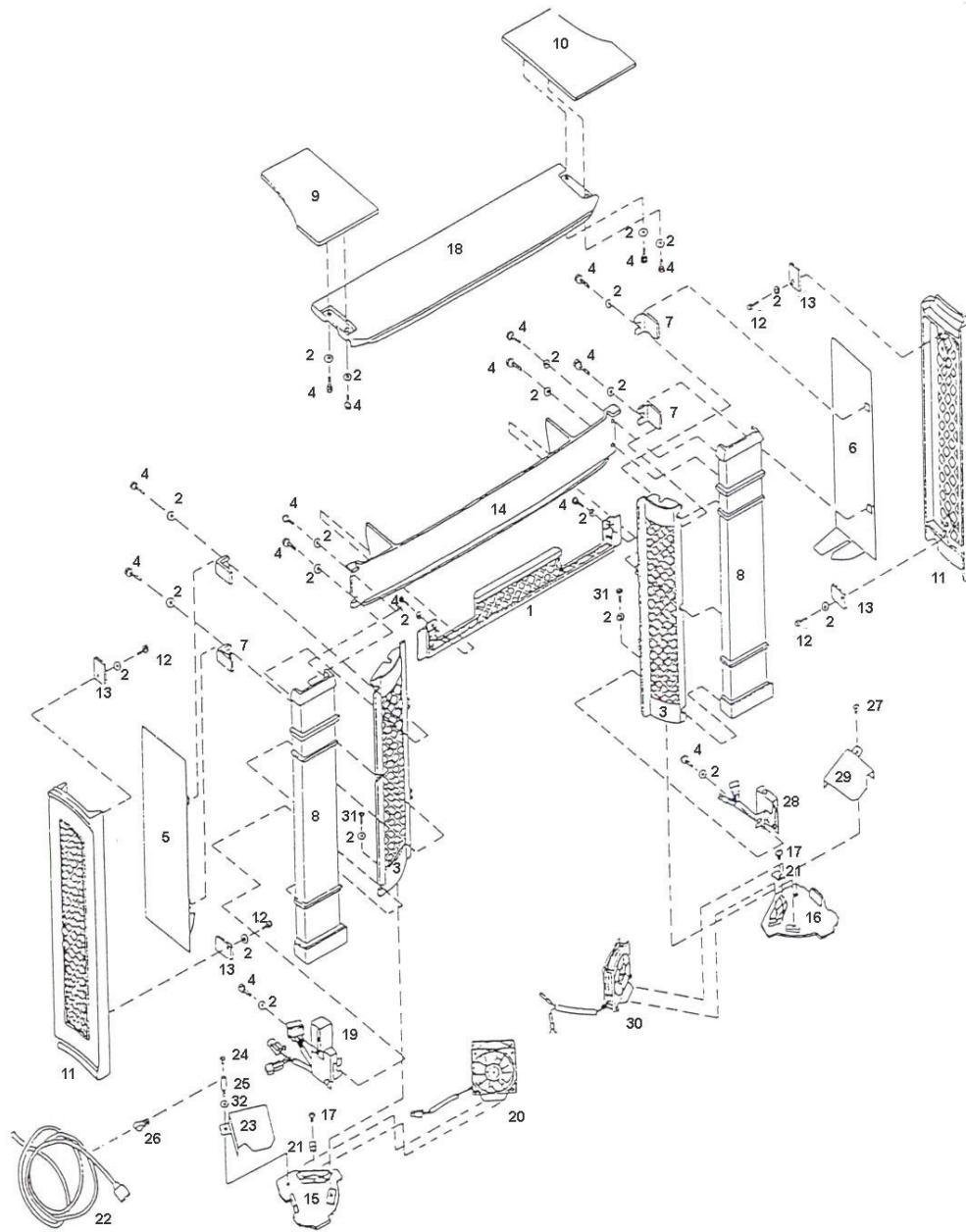
LOCATION	GASKET SIZE	QTY	PART NO.
Bottom for Lower Fireback	5/16 Fiberglass Medium Density 6ND	1.5'	120-3588
Upper Fireback for Sides & LFB	5/16 Fiberglass Medium Density 6ND	3'	120-3588
Upper Fireback for Damper	3/8 Fiberglass Low Density 6ND	4'	120-3589
Left Side for Air Manifold	5/16 Fiberglass Medium Density 6ND	8"	120-3588
Left Side for Thermostat Disc	5/16 Fiberglass Medium Density 6ND	1'	120-3588
Lower Fireback	5/16 Fiberglass Medium Density 6ND	3'	120-3588
Air Manifold to Right Side	5/16 Fiberglass Medium Density 6ND	8"	120-3588
Top to Upper Fireback & Air Manifold	1/2 Fiberglass Low Density Black	2'	120-3564
Flue Collar Plate to Top	5/16 Fiberglass Adhesive Backed	3'	120-3591
Door (Glass Seal)	3/16 Fiberglass 4ND Black	6'	120-3556
Door to Front Seal	1/2 Fiberglass Low Density Black	10'	120-3564

ENAMEL PARTS

*There are no Antique Brown Enamel Parts Available.

Item	SAND	MIDNIGHT
Mantel	132-1278	134-1278
Spandrel	132-1279* - Use 30001403 & four 5/16" "B" Holes	134-1279* - Use 30001403 & four 5/16" "B" Holes
Left Cap	132-1289	134-1289
Right Cap	132-1290	134-1290
Column	132-1300* - Use 30001404 & drill four "C" Holes	134-1300* - Use 30001404 & drill four "C" Holes
Outer Trim	132-1303	134-1303

WINTERWARM FRONT FOR FIREBOX MODEL #1280



WINTERWARM LARGE FRONTS

MODEL#S 1281, 1678, 1679, 1680

FEATURES: *USED WITH THE #1280 FIREBOX ONLY*

** denotes dead product*

DIAGRAM #	ITEM #	PART DESCRIPTION
1	130-1288*	Upper Grill
2	120-2474	Washer, Standard Flat ¼ - Z .313 OD x .742 OD x .06 Thick
3	130-1285*	Inner Trim - Substitute 130-1154
4	120-1347	¼ -20 x ½" Hex Head Leveller Bolt (10 used)
5	160-4508	Left Divider
6	160-4509	Right Divider
7	160-4510*	Divider Hanger
8	130-1300	Column (30001402 may be substituted by drilling 4 new holes)
9	130-1289	Left Cap
10	130-1290	Right Cap
11	130-1303	Outer Lattice Trim
12	120-1338	¼ -20 x ½" Hex Head Cap Screw
13	160-4513	Trim Retainer Plate
14	130-1266	Spandrel (30001401 may be substituted by drilling 4 new holes)
15	130-1266*	Base Plate Left
16	130-1267*	Base Plate Right
17	120-0993	¼ -20 x ⅜" Phillips Pan Head Screw
18	130-1278	Mantel
19	500-2582*	Left Junction Box Assembly
20	500-2576*	Left Fan Assembly (5" square x 1 ½" deep muffin fan)
21	160-1488	Damper Tabs (2 used)
22	120-4816	Electrical Cord
23	160-4120	Left Wire Shield
24	120-0998	10-24 x ½" Truss Head Screw
25	160-1755	Heat Shield Spacer
26	120-3057	Metal Wire Clamp ⅝ ₁₆ "
27	120-0996	10-24 x ¼" Truss Head Screw
28	500-2583*	Right Junction Box
29	160-4121	Right Wire Shield
30	500-2577*	Right Fan Assembly
31	120-1372	¼ -20 x ⅝" Hex Head Cap Screw
32	120-2423	Flat Washer (3 used)

HARDWARE WINTERWARM LARGE 1280

- 120-0417 1/4-20 x 1/4" Socket Set Screw
(Thermostat Actuator, Pawl Assembly)
- 120-0446 1/4-20 x 1 1/4" Socket Set Screw
(Damper Swing Arm Retainer Adjuster)
- 120-0461 1/4-20 x 3/4" Socket Head Cap Screw
(Damper Swing Arm Retainer, Pawl Assembly)
- 120-0830 1/4-20 x 1 3/4" Phillips Flat Head Screw Black
(Primary Air Box)
- 120-0865 1/4-20 x 5/8" Phillips Flat Head Screw
(Bottom to Shroud)
- 120-0894 1/4-20 x 1/2" Phillips Round Head Screw
(Thermostat Disc)
- 120-0896 1/4-20 x 5/8" Phillips Round Head Screw
(Thermostat Air Valve)
- 120-0980 10-24 x 1/4" Phillips Pan Head Screw
(Secondary Probe, Secondary Flap)
- 120-0985 10-24 x 3/8" Phillips Pan Head Screw
(Glass Retainers)
- 120-0993 1/4-20 x 3/8" Phillips Pan Head Screw
(Secondary Air Cover Plate)
- 120-1319 3/8-16 Threaded Shoulder Bolt, 1/2 x 1 1/4" Body
(Thermostat Control Arm)
- 120-1326 1/4-20 x 1" Hex Head Cap Screw
(Damper Rod Retainer, Damper Control Shim)
- 120-1338 1/4-20 x 1/2" Hex Head Cap Screw
**(Striker Plate, Ash Pan Bracket, Airbox, Damper Tab, Fan Heat Shield
Damper Actuator Link Stop, Damper Interlock, Collar Assembly)**
- 120-1347 1/4-20 x 1/2" Hex Head Leveller Bolt
(Body and Door Half Hinges)
- 120-1372 1/4-20 x 5/8" Hex Head Cap Screw
(Ashdoor Clamp)
- 120-1374 1/4-20 x 3/4" Hex Head Cap Screw
(Flue Collar)
- 120-1376 1/4-20 x 1" Hex Head Cap Screw - Black
(Air Manifold)
- 120-1386 1/4-20 x 1 1/2" Hex Head Cap Screw
(Upper Fireback, Throat Clamp)

- 120-1500 5/16 x 2 1/2" Hex Head Lag Bolt
(Bottom to Pallet)
- 120-1742 3/8-16 x 2" Hex Head Leveller Bolt
(Bottom)
- 120-1781 Control Spacer
(Control Shim)
- 120-1839 3/16 x 1" Stainless Steel Pin
(Damper Rod)
- 120-1846 Friction Spring
(Thermostat to Air Box)
- 120-1864 Eyelet #SE 57
(Thermostat Assembly)
- 120-1899 5/16" Hole Plug
(Firebox Back)
- 120-1960 Ball Chain #6
(Thermostat Assembly-21 Balls-Attach @19)
- 120-1972 Fitting, Ball Chain
(Thermostat Assembly Ball Chain)
- 120-1985 Snap Ring
(Primary Air Assembly)
- 120-1986 Shim Ring, 18 Ga Nickel
(Secondary Flap)
- 120-2041 8-32 x 1/2" Phillips Flat Head Screw
(Brass Trim [Except Top Centre])
- 120-2045 8-32 x 1 1/4" Phillips Flat Head Screw
(Brass Trim Top Centre)
- 120-2081 #12 x 1/2 Hex Head Sheet Metal Screw - Zinc
(Shroud, Outside Air Cover)
- 120-2461 Washer, Ext Star
(Behind Body Half Hinges)
- 120-2471 Washer, Flat 1/4 #304 SS .294 ID x .63 OD x .047 Thick
(Thermostat Assembly)

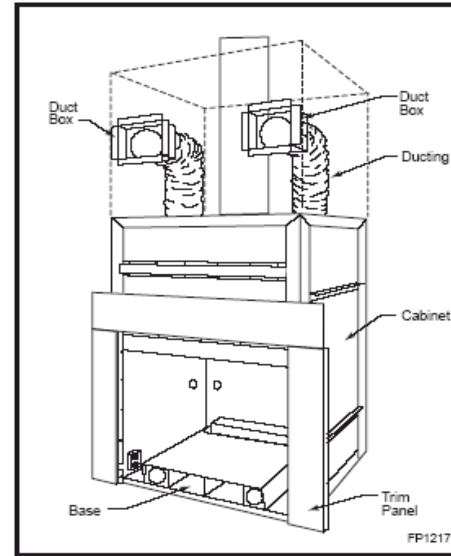
- 120-2474 Washer, Standard Flat 1/4 - Z .313 OD x .742 OD x .06 Thick
(Tie Rods, Ash Door Clamp, Ashpan Bracket, Blower Snap Stat, Door Air Manifold, Upper Fireback, Damper Rod Retainer, Damper Control Stop, Control Lever Shims, Flue Collar, Striker Plate)
- 120-2475 Washer, Narrow Flat 1/4 .275ID x .5 OD x .063 Thick
(Damper Swing Arm Retainer)
- 120-2488 Washer, Flat 3/8 - Z .442 ID x 1 OD x .074 Thick
(Damper Swing Arm)
- 120-2491 Washer, Flat 1/2 SAE
(Thermostat Control, Rheostat Control, Damper Control Rod)
- 120-2492 Thick Flat Washer .52 ID x .875 OD x .085 Thick
(Damper Control Rod)
- 120-2560 Washer, Narrow Flat 3/8
(Ash Pan Swing)
- 120-2906 Pop Rivet 1/8 x 1/8 - Z
(Various)
- 120-3027 7/16 x 5/8" Cotter Pin
(Primary Air Flap)
- 120-3105 1/4-20 Nut Plate
(Upper Fireback)
- 120-3157 3/8-16 Hex Jam Nut
(Ash Pan Swing, Damper Handle Wire Link)
- 120-3210 1/4-20 Plain Hex Nut
(Tie Rod, Damper Swing Arm Retainer, Damper Retainer Rod, Door Manifold, Pawl Assembly, Wire Handle)
- 120-3275 #8-32 Hex Top Lock Nut
(All Wire Links)
- 120-3290 3/8-16 Top Lock Hex Jam Nut
(Damper Control Rod, Pawl Assembly)
- 120-3329 1/4-20 Square Nut
(Throat Clamp)
- 120-5116 1/8 Allen Wrench Short Arm
- 120-5147 5/32 Allen Wrench Short Arm
- 160-4503 Wire, Thermostat Flap
(Thermostat Flap)

1283 WINTERWARM ENERGY CABINET

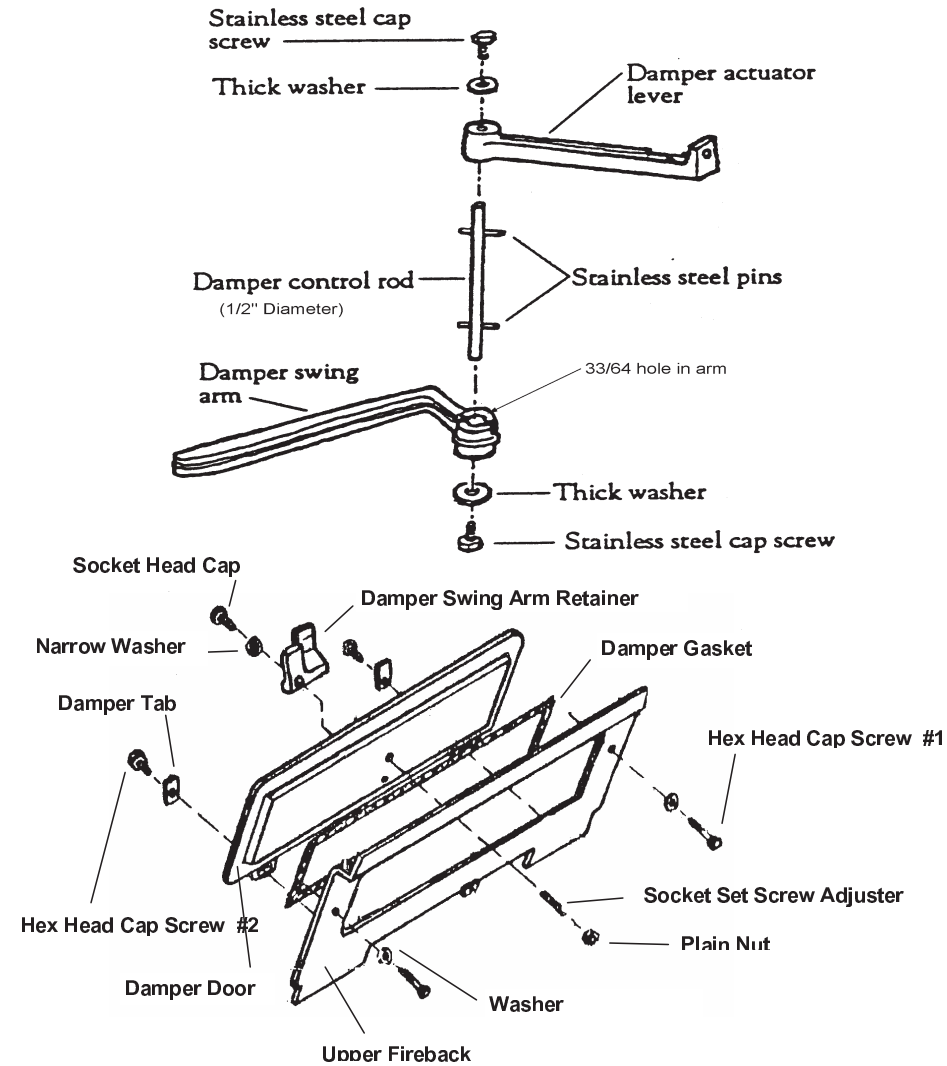
USED WITH THE #1280 FIREBOX ONLY

* denotes dead product

ITEM #	PART DESCRIPTION
000-5812	Flue Connector Assembly Package
000-5875	Duct Box Assembly
120-0925	¼ -20 x ½" Phillips Truss Head Screw
120-2081	#12 x ½" Hex head SMS
120-2088	#10 x 1" Phillips Pan Head SMS
120-3210	¼ -20 Hex Nut
140-3385	20° Offset Flue Connector
140-3387	SS Flue Flange
140-3400*	Base Assembly
140-3404	Upper Trim
140-3405	Left Trim
140-3406	Right Trim
160-4118	Spark Shield
160-4331	Cabinet Junction Box
200-0932	Installation Instructions
000-5847	Plinth Assembly
500-2613	Register Grill Set of Two
130-3329	Register Single Grill



LARGE WINTERWARM DAMPER CONTROL PARTS
OLDER MODEL 1280



DAMPER CONTROL PARTS		MAIN DAMPER PARTS	
1/4 -20 x 1/2" SS Hex Head Cap Screw	120-1340	Hex Head Cap Screw #1 - 1/4 -20 x 1 1/2"	120-1386
Thick Washer	120-2477	Socket Set Adjuster Screw 1/4 -20 x 1 1/4"	120-0446
3/16" Stainless Steel Pin	120-1839	Plain Hex Nut	120-3210
Damper Actuator Lever	130-1283	Washer 1/4 Standard Flat	120-2474
Damper Control Rod	160-4506*	Hex Head Cap Screw #2 - 1/4 -20 x 1/2"	120-1338
Damper Swing Arm	130-1282	Damper Tab	160-1488
* Old control rod is dead. Use new control rod 160-4522 and two 120-3290 lock nuts in place of the hex head SS cap screws. The new control rod is threaded.		Washer 1/4 Narrow Flat	120-2475
		Socket Head Cap Screw 1/4 -20 x 1/2"	120-0461
		Upper Fireback	130-1260
		Damper Door	130-1259
		Damper Gasket (In UFB) 4 Feet of	120-3589